

Security Systems



PENTAX IMAGING SYSTEMS - SECURITY SYSTEMS



ZOOM LENSES 16X, 20X AND 33X ZOOM

- Large Focal Range
- Megapixel
- High Speed
- 1/2", C-Mount
- Iris Override
- Presets
- Compact and Robust
- Optimised for use in Port Facilities, Border Patrol, Coast Oil Fields, Highway Monitoring etc.



PENTAX

16x ZOOM LENSES

Autoiris, With High-Speed Motors

The new 16x zoom lens has a focal length of 7.5-120mm. Despite the increase in focal length to its predecessor, the optics are more compact meaning the overall length of the lens is now shorter.

This also means a slight drop in weight, and all this while keeping the maximum aperture of f1.6

The build of the lens has been improved to allow for a faster focus motor without impacting on the lenses reliability or life span.

By using more advanced optical technology, the lenses overall performance has been increased including light transmission and resolution while reducing distortion and vignetting.

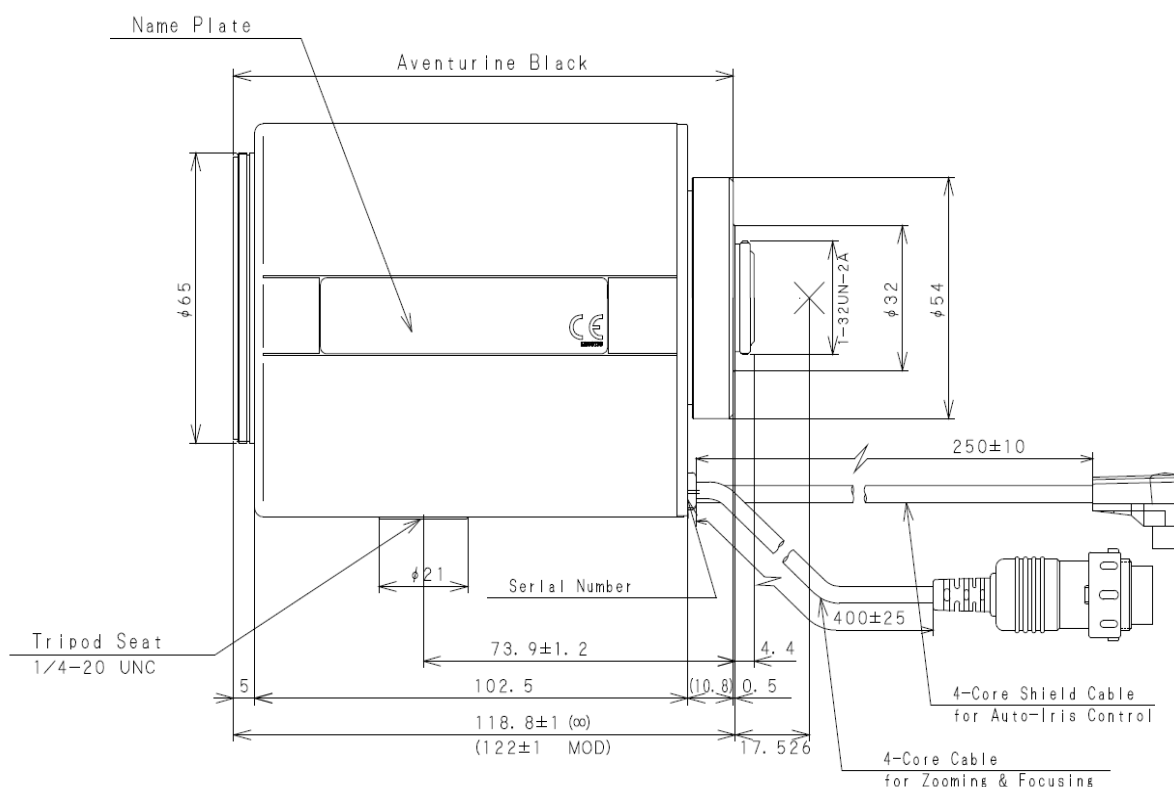


Part No.	Designation	Format Size	Mount	Focal Length	Iris Range	VS/DC	MOD	Horizontal Angle of View	Zoom Sec.	Focus Sec.
C60726HK	H16ZMED-5 (HK)	1/2"	C	7.5-120mm	1.6-1000	DC	1.5m	45.78°-3.06°	2.5	5.5
C60726WX	H16ZME-5 (WX)	1/2"	C	7.5-120mm	1.6-1000	VS	1.5m	45.78°-3.06°	2.5	5.5
C60728HK	H16ZMED-5P (HK) *	1/2"	C	7.5-120mm	1.6-1000	DC	1.5m	45.78°-3.06°	2.5	5.5
C60728WX	H16ZME-5P (WX) *	1/2"	C	7.5-120mm	1.6-1000	VS	1.5m	45.78°-3.06°	2.5	5.5
C60727WP	H16ZME-5F (ST) * *	1/2"	C	7.5-120mm	1.6-1000	VS	1.5m	45.78°-3.06°	2.5	5.5
C60727WX	H16ZME-5F (WX) *	1/2"	C	7.5-120mm	1.6-1000	VS	1.5m	45.78°-3.06°	2.5	5.5

* with D/A Converter

* with Presets

* with Presets and Iris Override



20x MEGAPIXEL-ZOOM LENSES

Autoiris, With High-Speed Motors

The 20x is PENTAX's highest selling zoom lens. This series of zoom lenses are now available with megapixel resolution. Thus, it is not only matching the requirements of analogue cameras, but also now many high-resolution IP cameras.

Still available are the super high-speed zoom motors, which need just 2 seconds to cover the whole range of the zoom and/ or the focus. All lenses have the high f-stop of f1.6.

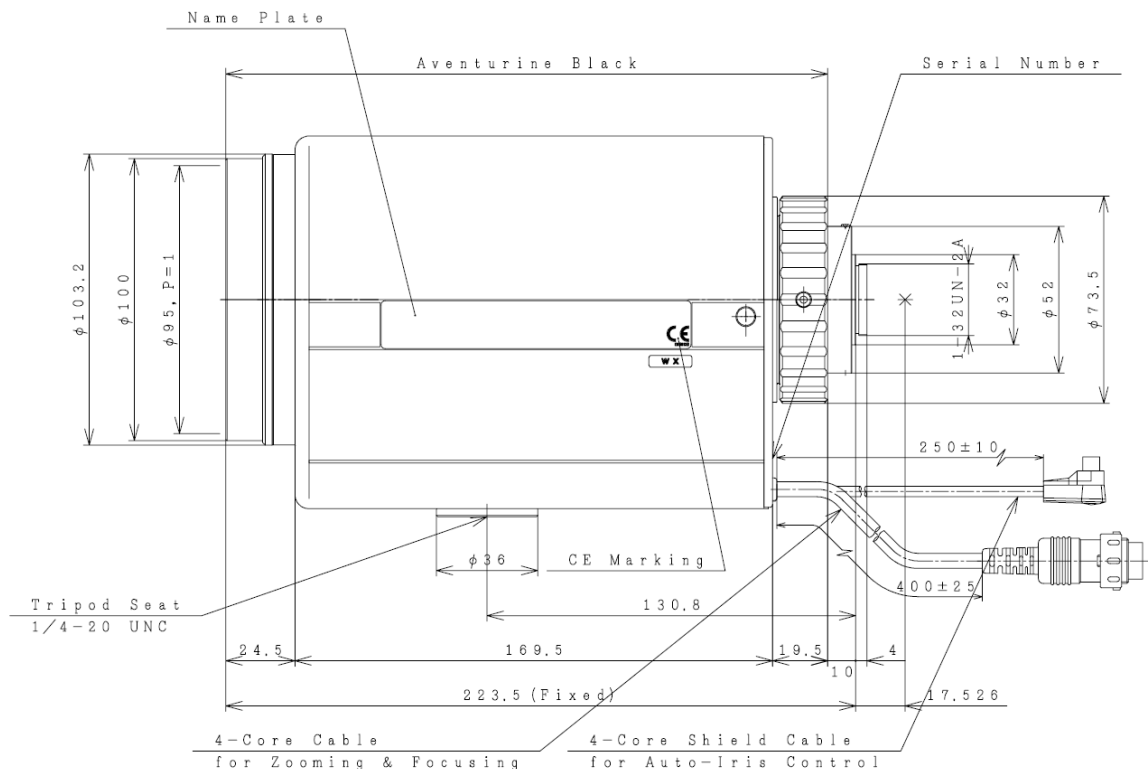


Part No.	Designation	Format Size	Mount	Focal Length	Iris Range	VS/DC	MOD	Horizontal Angle of View	Zoom Sec.	Focus Sec.
C61237MHK	H20ZAMED-5-M (HK)	1/2"	C	12-240mm	1.6-720	DC	2.8m	30.78°-1.56°	10	10
C61237MWX	H20ZAME-5-M (WX)	1/2"	C	12-240mm	1.6-720	VS	2.8m	30.78°-1.56°	10	10
C61241MHK	H20ZAMED-5P-M (HK) *	1/2"	C	12-240mm	1.6-720	DC	2.8m	30.78°-1.56°	4.5	4.5
C61241MWQ	H20ZAME-5P-M (WQ) *	1/2"	C	12-240mm	1.6-720	VS	2.8m	30.78°-1.56°	4.5	10
C61241MWX	H20ZAME-5P-M (WX) *	1/2"	C	12-240mm	1.6-720	DC	2.8m	30.78°-1.56°	4.5	4.5
C61240MST	H20ZAME-5F-M (ST) **	1/2"	C	12-240mm	1.6-720	VS	2.8m	30.78°-1.56°	4.5	4.5
C61240MWQ	H20ZAME-5F-M (WQ) **	1/2"	C	12-240mm	1.6-720	VS	2.8m	30.78°-1.56°	4.5	10
C61240MWX	H20ZAME-5F-M (WX) *	1/2"	C	12-240mm	1.6-720	VS	2.8m	30.78°-1.56°	4.5	4.5
C61243MWQ	H20ZAME-5PK-M (WQ) *	1/2"	C	12-240mm	1.6-720	VS	2.8m	30.78°-1.56°	2	10
C61243MWX	H20ZAME-5PK-M (WX) *	1/2"	C	12-240mm	1.6-720	VS	2.8m	30.78°-1.56°	2	2
C61242MWQ	H20ZAME-5FK-M (WQ) **	1/2"	C	12-240mm	1.6-720	VS	2.8m	30.78°-1.56°	2	10
C61242MWX	H20ZAME-5FK-M (WX) *	1/2"	C	12-240mm	1.6-720	VS	2.8m	30.78°-1.56°	2	2
C61249	H20ZAME-F-PR01 PAIR *	1/2"	C	12-240mm	1.6-720	VS	2.8m	30.78°-1.56°	4.5	9

* with D/A Converter

* with Presets

* with Presets and Iris Override



33x ZOOM LENSES

Autoiris, With High-Speed Motors

These lenses are distinguished by their compact size and their high f-Stop of f1.7 even though the focal range is long. Therefore, they keep the budget for a surveillance system low and make the installation easy. Like all other PENTAX CCTV

lenses, this series of 33x zoom lenses are designed for use in professional surveillance systems in terms of quality and durability, so that the optical system meets the highest standards.

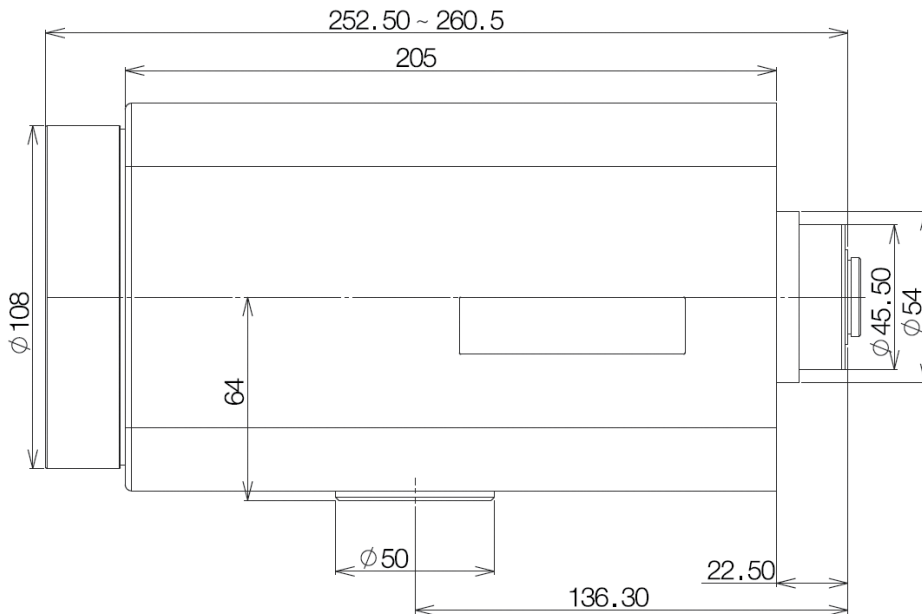


Part No.	Designation	Format Size	Mount	Focal Length	Iris Range	VS/DC	MOD	Horizontal Angle of View	Zoom Sec.	Focus Sec.
C61001WX	H33ZME-5P (WX) *	1/2"	C	10-330mm	1.7-560	VS	2.9m	35°-1.1°	5	9.5
C61000	H33ZME-P-PR01 PAIR *	1/2"	C	10-330mm	1.7-560	VS	2.9m	35°-1.1°	5	9.5

* with D/A Converter

* with Presets

* with Presets and Iris Override



GERMANY, AUSTRIA, SWITZERLAND, EUROPE, MIDDLE EAST, AFRICA

PENTAX Imaging Systems GmbH
Security Systems
Julius-Vosseler-Str. 104
22527 Hamburg
Germany
Phone: +49-(0)40-5 61 92-109
Fax: +49-(0)40-5 61 92-334
security@pentax.de
www.pentax.de

UNITED KINGDOM, IRELAND

PENTAX Imaging Systems Ltd.
Security Systems
Heron Drive
Langley
Slough SL3 8PN
England
Phone: +44-(0)1753-21 10 92
Fax: +44-(0)1753-21 10 90
cctv.sales@pentax.co.uk
www.pentax.co.uk

FRANCE

PENTAX Europe Imaging
Systems SAS
Security Systems
112 Quai de Bezons, B.P. 204
95106 Argenteuil Cedex
France
Phone: +33-(0)1-30 25 75 75
Fax: +33-(0)1-30 25 74 47
security@pentax.fr
www.pentax.fr

BELGIUM, NETHERLANDS, LUXEMBURG

PENTAX Imaging Systems GmbH
Security Systems
Julius-Vosseler-Str. 104
22527 Hamburg
Germany
Phone: +32-(0)2-3 06 11 97
Fax: +32-(0)2-3 06 12 97
cctv-info@pentaxeurope.com
www.pentax.nl
www.pentax.be

PENTAX